

S080/120

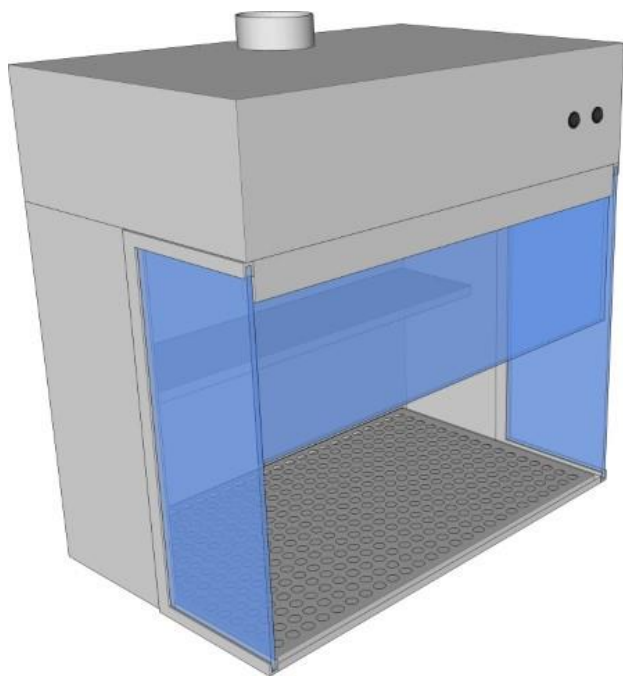


Table top fume hood for lab routines

Updraft air extraction

Integrated ventilator 160m³/h

Main LED light

Two speed regulation LOW/HIGH

Main switch

Side windows

Frontal plexi splash shield, retractable

Stainless steel construction AISI304

Workarea perforated, with basin collection for leakage

cat.no

description

SO80

SO80 table top fume hood 80cm

SO120

SO120 table top fume hood 120cm

185

Filter cartridge high throughput low filtration

S080/120



Enhance your efficiency with simple yet effective solution to fume extraction. Suitable for your laboratory toxic fumes extraction. Fits every desk. Double speed for both – high power extraction or silent mode. LED light for true colors visibility. Retractable shield to protect your eyes and increase of air extraction, with possibility to retract and hide inside for maximum access to the storage area.

Simple and effective.